



DF33 - Lincat Silverlink 600 Electric Counter-top Single Tank Fryer - 1 Basket - W 300 mm - 3.0 kW

The Silverlink 600 Electric Counter Top Fryer delivers 12kg of chips per hour, and it's perfect for use in cafes, pubs and restaurants.

- ✓ Delivering 12kg of chips per hour, perfect for cafes, pubs and restaurants
- ✓ Front mounted controls for safety
- ✓ Hinged elements to give easy access during cleaning
- ✓ Cool zone collects cooking debris - gives cleaner cooking results and saves money by prolonging the life of the oil
- ✓ Thermostatically controlled to give accurate cooking temperatures throughout cooking. Fail-safe top temperature cut out ensures safe operation.
- ✓ Fully moulded 304 stainless steel tank and heavy duty nickel plated baskets for the most demanding of operations
- ✓ Front drain off tap for easy removal of cooking oil
- ✓ Plug and play for an easy installation

Specifications

Summary

| | |
|-----------------------------|-----------------------------------|
| Brand | Lincat |
| Range | Silverlink 600 |
| Power Type | Electric |
| Unit Type | Counter-top |
| Available in UK Only | No |
| UK Warranty | 2 Years Parts and Labour Warranty |
| Export Warranty | Contact your local dealer |
| GTIN | 5056105100027 |

Power and Performance

| | |
|-----------------------------|------------|
| Total Power kW | 3.0 |
| Temperature Range °C | 130-190 |
| IP Rating | IP33 |
| Temperature Control | Mechanical |

Key Specifications

| | |
|---------------------------|---------------|
| Number of Baskets | 1 |
| Number of Tanks | 1 |
| Gravity Filtration | No |
| Pumped Filtration | No |
| Drain Location | Front-mounted |

Capacity

| | |
|--------------------------------|---|
| Product Output per Hour | 8kg chips - 12mm [frozen], 12kg chips - 12mm [chil] |
| Capacity Litres | 9.0 |

Weights and Dimensions

| | |
|----------------------------------|-----|
| Unit Height (External) mm | 330 |
| Unit Width (External) mm | 300 |
| Unit Depth (External) mm | 600 |
| Net Weight Kg | 13 |

Supply Connections

| | |
|---------------------------------------|-------|
| Requires Installation | No |
| Requires Electrical Supply | Yes |
| UK 3 Pin Plug | Yes |
| Requires Hardwiring | No |
| Electrical Supply Rating Watts | 3,000 |
| Single Phase Amps | 13.0 |
| Single Phase Voltage | 230 |

Shipping

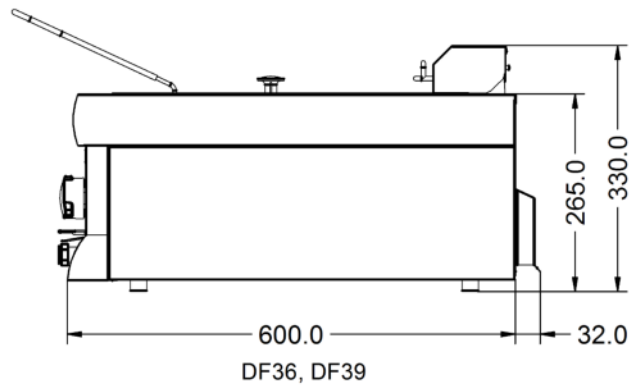
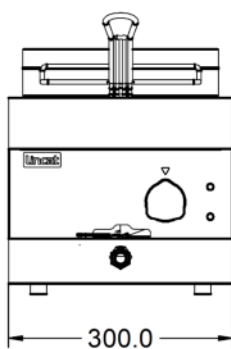
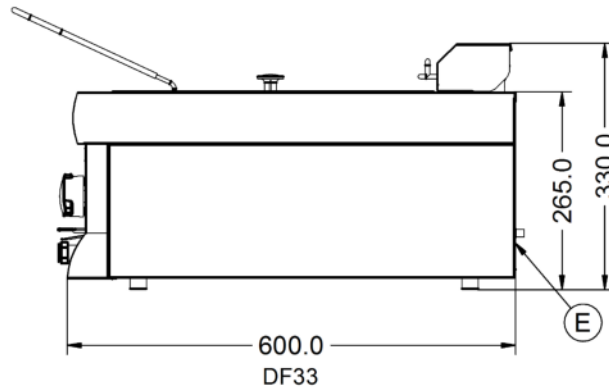
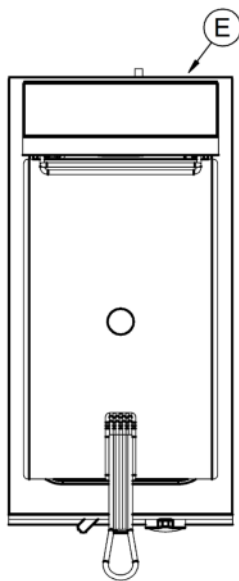
| | |
|-------------------------|------|
| Packed Weight Kg | 17 |
| Packed Height cm | 49.5 |
| Packed Width cm | 70 |
| Packed Depth cm | 40 |

Available Accessories

Available Accessories

| | |
|-------------|--|
| CC3 | Lincat Silverlink 600 Free-standing Ambient Open-Top Pedestal with Doors - W 300 mm |
| CN3 | Lincat Silverlink 600 Free-standing Ambient Open-Top Pedestal without Doors - W 300 mm |
| HC3 | Lincat Silverlink 600 Free-standing Heated Open-Top Pedestal with Doors - W 300 mm - 0.25 kW |
| HCL3 | Lincat Silverlink 600 Free-standing Heated Pedestal with Legs and Doors - W 300 mm - 0.25 kW |
| SLS3 | Lincat Silverlink 600 Free-standing Floor Stand - for units W 300 mm |

Technical Picture





Lincat Limited

Whisby Road,
Lincoln, LN6 3QZ,
United Kingdom

Company No: 2175448

A member company of



Customer Care

Tel: +44 1522 875500
Email: care@lincat.co.uk

Export Customers

Tel: +44 1522 503250
Email: export@lincat.co.uk

Opening Hours

Monday – Friday:
8.30am – 5pm