



LWB6 - Lincat Counter-top Manual Fill Water Boiler - W 365 mm - 3.0 kW

Whichever hot drink you're serving, do it with ease with this simple to use 27 Litre Lincat Manual Fill Water Boiler.

- ✓ Easy to use, simple fill, set the thermostat and have 27 litres of piping hot water ready to serve in 35 minutes
- ✓ Ideal for providing a constant flow of boiling water for tea, coffee, hot chocolate and soup
- ✓ Ideal for either continuous use during the busiest periods or occasional use at quieter times
- ✓ Convenient, portable access to piping hot water without the need for hardwiring or mains plumbing
- ✓ High quality non-drip taps
- ✓ Simmerstat temperature control
- ✓ Easy to descale and clean

Specifications

Summary

Brand	Lincat
Range	Specialist
Power Type	Electric
Unit Type	Counter-top
Available in UK Only	No
UK Warranty	2 Years Parts and Labour Warranty
Export Warranty	Contact your local dealer
GTIN	5056105101444

Power and Performance

Total Power kW	3.0
Temperature Range °C	Up to 100
IP Rating	IP23
Hourly Output Litres	31
Hourly Output Cups	155
Temperature Control	Mechanical

Key Specifications

Outlet	Single Tap
Dispense Lock	No

Capacity

Hot and Cold Water Output	No
Rapid Draw Off Litres	27.0
Rapid Draw Off Cups	135
Capacity Litres	27.0

Weights and Dimensions

Unit Height (External) mm	522
Unit Width (External) mm	365
Unit Depth (External) mm	365
Net Weight Kg	8

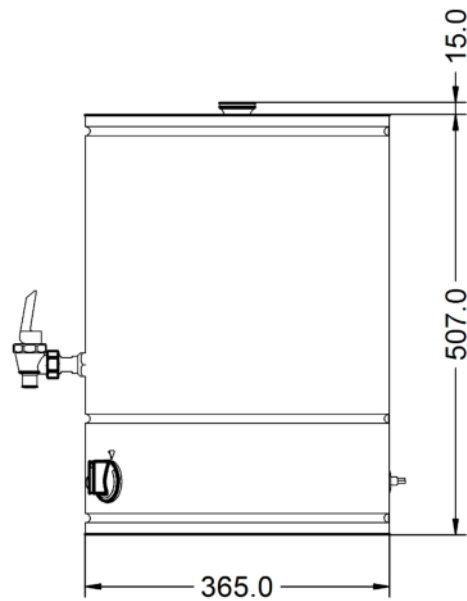
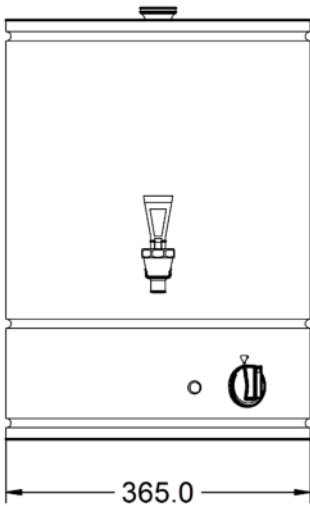
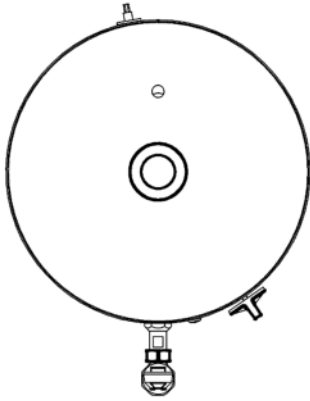
Supply Connections

Requires Installation	No
Requires Electrical Supply	Yes
UK 3 Pin Plug	Yes
Requires Hardwiring	No
Electrical Supply Rating Watts	3,000
Single Phase Amps	13
Single Phase Voltage	230

Shipping

Packed Weight Kg	13
Packed Height cm	70
Packed Width cm	55
Packed Depth cm	54

Technical Picture



Lincat Limited

Whisby Road,
Lincoln, LN6 3QZ,
United Kingdom

Company No: 2175448

A member company of



Customer Care

Tel: +44 1522 875500
Email: care@lincat.co.uk

Export Customers

Tel: +44 1522 503250
Email: export@lincat.co.uk

Opening Hours

Monday – Friday:
8.30am – 5pm